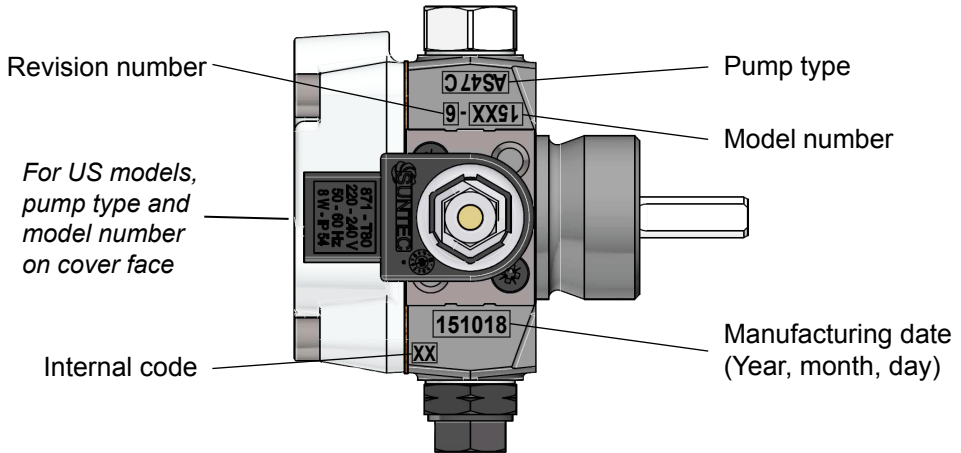
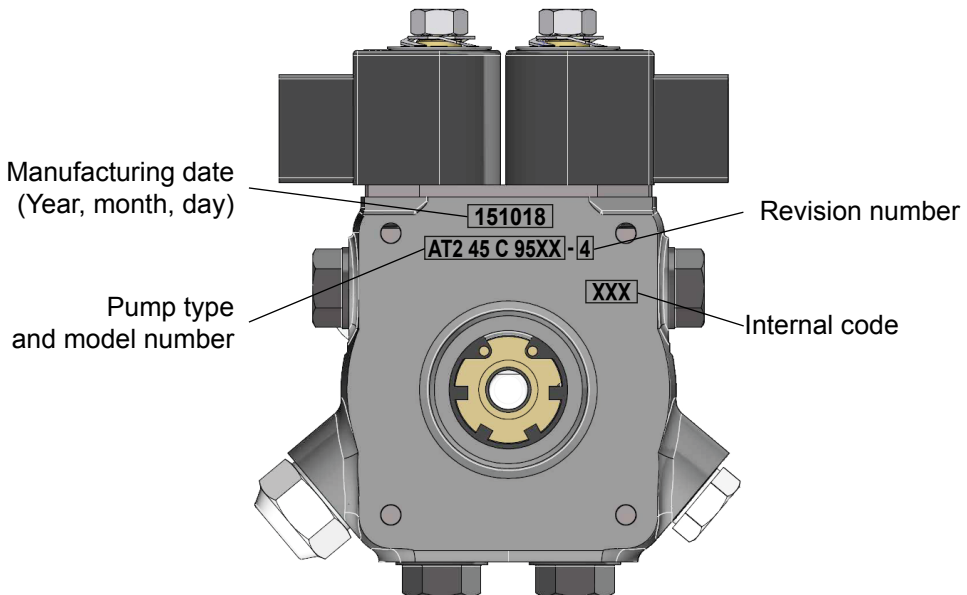


# Identification marking on SUNTEC pumps

**AN, AE, AS, AL, ALE, AU, AR, AP and D pumps**  
**A 7000, A 3000, OL, B 8000 and B 4000 pumps**



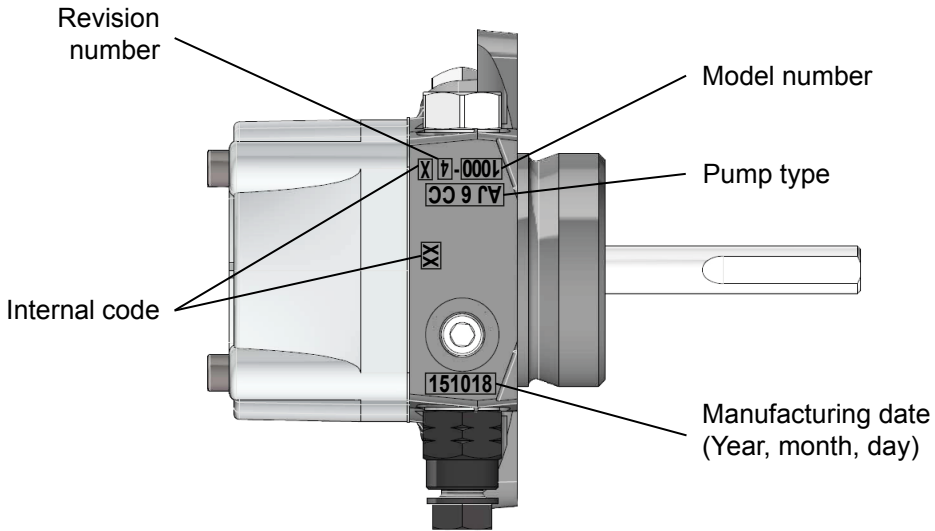
## A2L, AP 2/3, AT 2/3, AM and OT2 pumps



Data corresponding to installation system (one or two-pipe), to solenoid voltage, to connector length are not stamped on the pump because these parameters could be modified according to the installation.

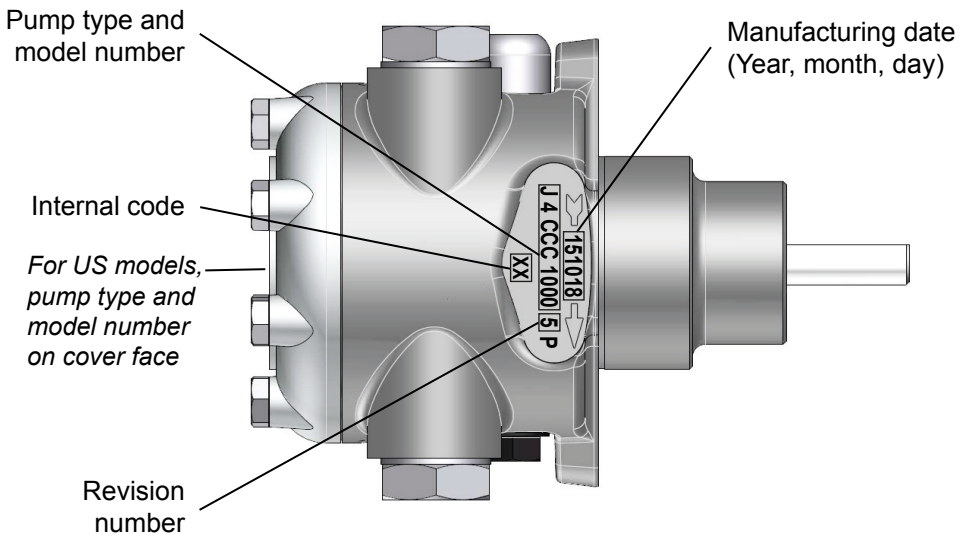
# Identification marking on SUNTEC pumps

## AJ pumps



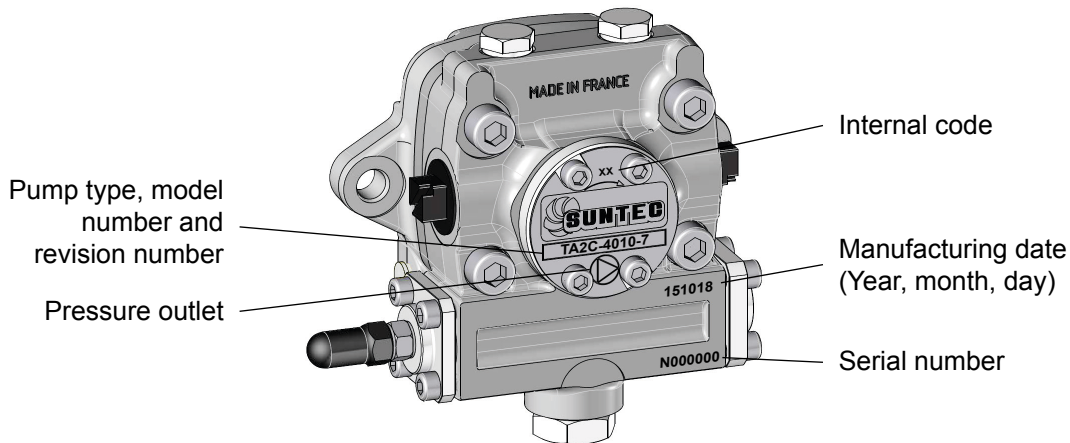
Data corresponding to installation system (one or two-pipe) are not stamped on the pump because this parameter could be modified according to the installation.

## J, E pumps

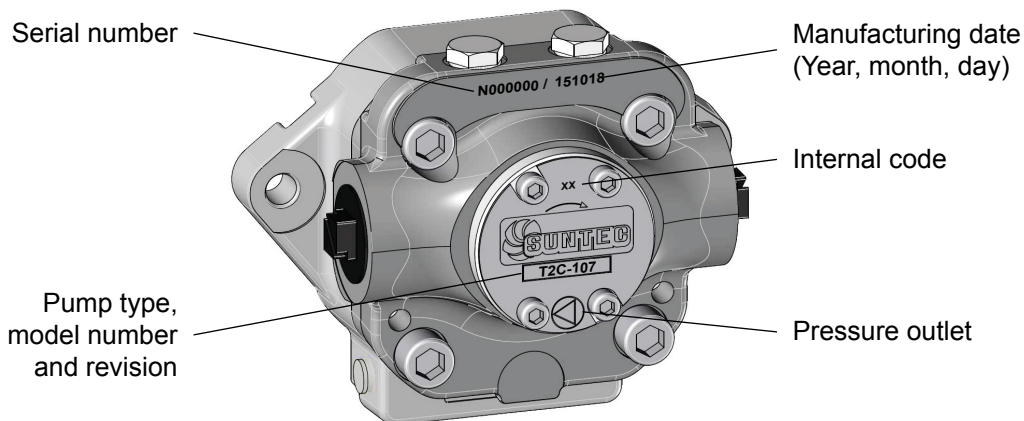


# Identification marking on SUNTEC pumps

## TA and TAR pumps



## T pumps



## TV valves

